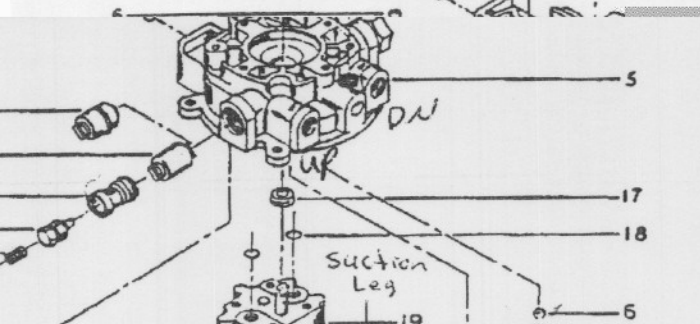
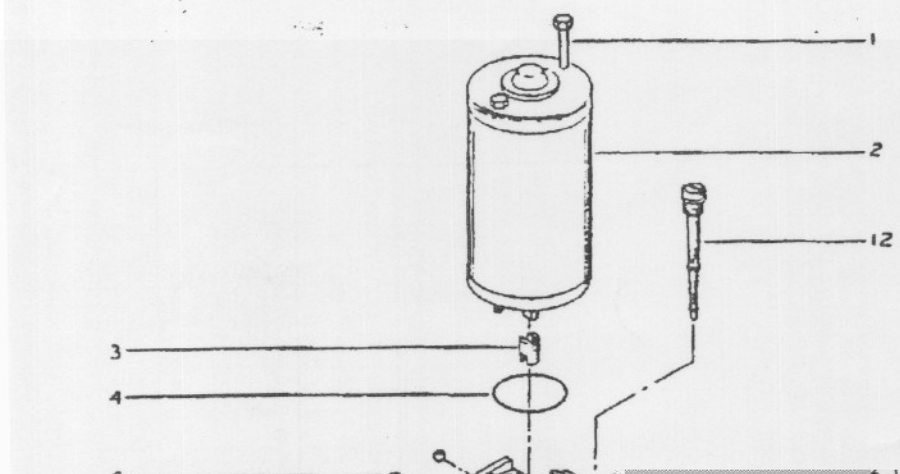


108 SERIES POWER UNIT

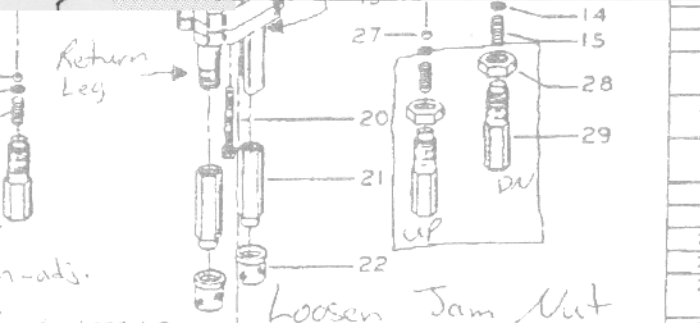
Reversible Locking,
Vertical Mount shown

GENERIC EXPLODED VIEW AND PARTS LIST

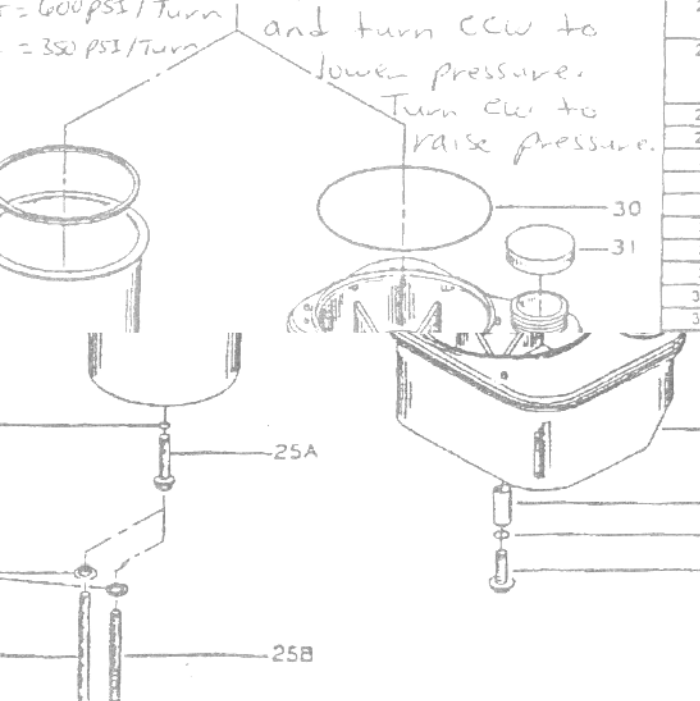
ITEM #	PART #	DESCRIPTION	QUANT
1	*	Motor Mounting Stud	2
2	*	Motor	1
3	361183	Coupling	1
4	405673	O-Ring (132-70)	1
5	*	Adapter	1
6	401065	1/4 Steel Ball	3
7A	361181	Spool (Use with 327 rev. pump)	1



8	773763	Check Valve Body (Includes #405484 O-ring 014-90)	2
9	773776	Poppet Assembly	2
10	410462	Spring	2
11	773764	Hex Plug Retainer	2
12	773762	Dipstick (With "A" & "B" reservoirs only, includes #407328 O-ring 012-90)	2
13	411167	3/16 Vespeal Ball	2
14	411173	Event	4
15	411170	Spring	4
16	**	Thermal Relief Adjusting Screw	2
17	410512	Shaft Seal	1



18	405367	O-ring 009-70	2
19	*	Basic Pump	1
20A	410465	#10-32 UNF x 1 5/16" Torx Hd. (Use with 190 & 190 pumps)	2
20B	410601	#10-32 UNF x 1 7/16" Torx Hd. (Use with 250 and 327 pumps)	2
21	362136	Suction Tube Extension (Use only with "B" reservoir)	2
22	410521	Filter	2
23	410578	Reservoir Seal	1
24A	411477	Reservoir "A" (28 cu. in.)	1
24B	410541	Reservoir "B" (46 cu. in.)	1
25A	411355	#10-32 x 1 Hex Hd. Screw (Use with "A" reservoir)	1
25B	409715	#10-32 UNC x 2 1/2" Sl. Rd. Hd. (Use with "B" reservoir & 327 pump)	1
26C	411796	#10-32 UNC x 2 3/4" Sl. Rd. Hd. (Use with "B" reservoir & 190, 190 & 250 pumps)	1
26A	409815	O-ring 007-90 (Use with "A" reservoir)	1
26B	359071	Thread Seal (Use with "B" reservoir)	1
27	401072	3/16 Steel Ball	1
28	410298	7/16-20 Hex Jam Nut	2
29	**	Relief Valve Adjusting Screw	2
30	411237	Reservoir Seal O-ring 238-70	1
31	411175	Reservoir Cap	1
32	363220	Reservoir "C"	1
33A	363235	Spacer (Use with 190 pump)	1
33B	363236	Spacer (Use with 190 pump)	1



33C	364030	Spacer (Use with 250 pump)	1
34	410245	O-ring (108-70)	1
35A	411392	#10-32 Hex Hd. Self Tapping (For use with 327 pump)	1
35B	411355	#10-32 Hex Hd. Self Tapping (For use with 190, 190 & 250 pumps)	1
534412		Seal Kit (Single Direction & Reversible)	1

* Please Specify Code Description Of The Power Unit When Ordering These Items
** Please Specify Relief Valve Settings When Ordering These Items

